



GAGE COCKS

Section: J100
Bulletin: J100.51
Date: 1/1/99
Supersedes: 60

Specialists In Liquid Level Indication For Reflex or Transparent Flat Glass Gages No. 60

Union bonnet valves, steel bodies with stainless steel trim, wide choice of features and connections

■ Re grindable , renewable seat

Jerguson No. 60 Series Valves are designed and built to the highest standards. Quality features such as stainless steel stems, seats, and ball check, regrindable and renewable seats. A wide selection of optional features permit a high degree of customizing to meet very specific demands.

Pressure Ratings

4000 lbs. – 100°F., 1500 lbs. – 750°F.
standard steam rating – 600 WSP

No. 60 Series Valve

The series consists of the following valve:

- No. 63 – straight pattern with female NPT gage connection.
- No. 64 – straight pattern with union gage connection.
- No. 66 – offset pattern with female NPT gage connection.
- No. 67 – offset pattern with union gage connection.

Standard Features

Safety shut-off: All No. 60 Series Valves are equipped with a stainless steel ball check located upstream from the seat which instantaneously shuts off flow of medium being gaged in case of gage glass breakage. The ball may be omitted on request.

Union Gage Connection: Nos. 64 and 67 are furnished with a union gage connection which allows a top and bottom connected gage to be turned to any desired angle for convenient visibility. It makes possible removal of the gage without removing the valves – a feature which saves time when gages must be cleaned or maintained.

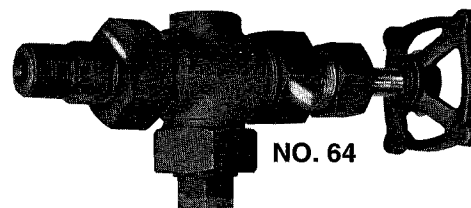
Offset Pattern: Nos. 66 and 67 valve bodies are designed so the gage and drain connections are offset $\frac{7}{8}$ " from the CL of the vessel connections. By removing the plug the interior of a top and bottom connected gage glass may be swabbed without removing the gage.

Convertible to Quick Closing: No. 60 Series Valves may be converted from plain to quick-closing, in the field, by replacement of sleeve, stem and packing.

Regrindable, Renewable Seat: The seat may be reground using the sleeve as a guide. The seat may be renewed by removing the seat with a standard wrench.



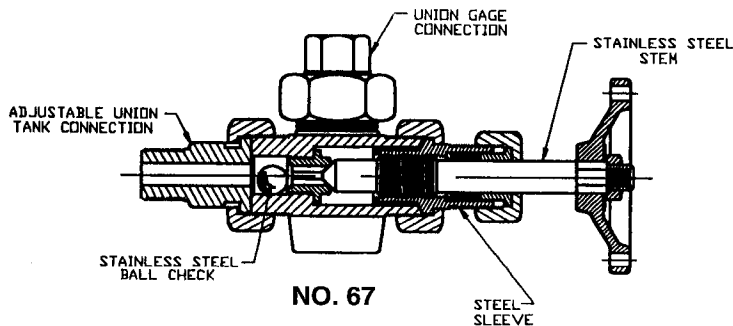
NO. 63



NO. 64



NO. 66

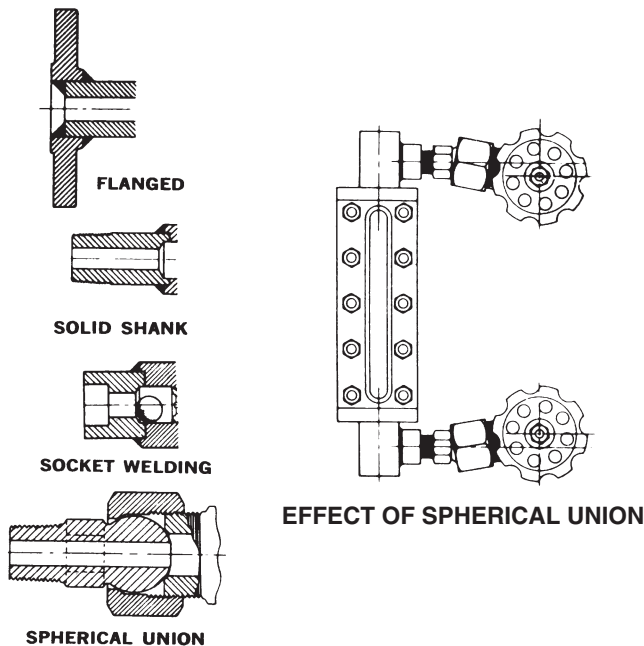


NO. 67

NO. 60 SERIES VALVES

Special Connections (extra charge)

No. 60 Series Valves can be furnished upon request with Flanged, Socket Welding, Solid Shank(non-union) and Spherical Union Connections. The use of Spherical Unions on inlets and outlets with top and bottom connected gages is particularly valuable when the vessel connections are not perfectly parallel. This construction will compensate for up to 10° misalignment of vessel tapping in any direction from the perpendicular axis and up to plus or minus 3/4" from mean centers. The same compensation may be had on side connected gages using single spherical tailpieces on the outlet connections.



Materials

No. 60 Series Valves have steel bodies and malleable iron handwheels. Long life is assured by the use of stainless steel for the seat, stainless steel for the stem, and stainless steel ball check.

Roughing Dimensions

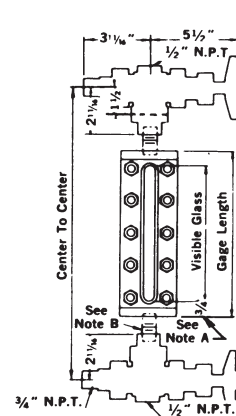
To determine maximum space available for gage, deduct from center to center dimension:

3 1/2" on No. 63, 66 5 7/8" on No. 64, 67

Note A. 3/4" dimension applies to all 1/2" N.P.T. end connected Reflex and Transparent gages except L-10 which is 1 1/4".

Note B. To determine overall length of 1/2" I.P.S. nipples add 7/8" to distance between gage and valve.

For side connected gages: Refer to to bulletin on gage for centers. Straight valves will have equal centers. Offset valve centers will be 1 3/4" more (offset outside gage centers) or less (offset inside gage centers).



Standard Connections

Vessel: 3/4" N.P.T. Male adjustable
 Gage: 1/2" N.P.T. Female
 Vent: 1/2" N.P.T. Female
 Drain:

Optional Connections

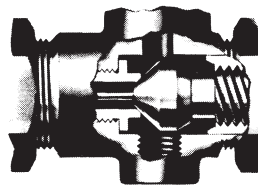
Vessel: 1/2" N.P.T. Male or Female
 3/4" N.P.T. Female
 Gage: 3/4" N.P.T. Female
 1/2" or 3/4" N.P.T. Male union
 on 64 and 67 valves

Backseating Stem: When backseating stem is backed out to its limit the knob on the stem seats against the sleeve which protects the packing from the fluid.

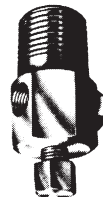
Quick Closing: Quick-closing valve stems with levers for cahin operation. Exclusive equalizing plate assures positive closing of both valves. Stems have quadruple thread for full closing or opening in 1/4 turn.

Bleed Fitting: A bleed fitting is available making it possible to bleed pressure from the valve and connected gage without breaking any threaded connections. The bleed fitting is designed so its stem cannot be withdrawn accidentally. It is tapped for 1/8" N.P.T. discharge.

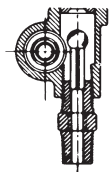
Downstream Ball Check: No. 67. An additional safety feature in the bottom valve of a top and bottom connected assembly is an optional ball check on the downstream side of the bottom valve seat. This arrangement shuts off the flow of liquid in case of fracture of the instrument of connecting piping and eliminates the upsream ball in the bottom fitting. A 1/2" male drain is standard. A cap may be furnished on request.



BACKSEATING STEM



BLEED FITTING



JERGUSON® GAGE AND VALVE

A Division of The Clark • Reliance® Corporation
 13200 North Promenade • Stafford, TX 77477 USA
 Telephone: (281) 240-4243 Fax: (281) 240-7299

JERGUSON® GAGE AND VALVE

A Division of The Clark • Reliance® Corporation
 16633 Foltz Industrial Parkway • Strongsville, OH 44136 USA
 Telephone: (440) 572-1500 Fax: (440) 238-8828