

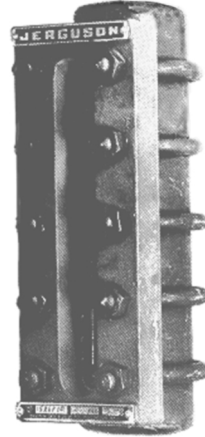
Specialists In Liquid Level Indication For Pressures Up To 2400 psi @ 100°F

### Large chamber gages for easy reading of boiling liquids

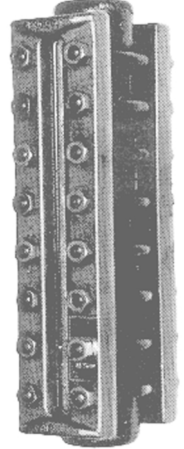
Jerguson Large Chamber Gages are designed to give an accurate liquid level reading of liquids that have a tendency to surge or boil. These gages are highly effective in (1) reducing the boiling effects of entrained gas being released under lowered pressure, (2) the liquid itself being vaporized when pressure reaches a critical low point, and (3) boiling caused by temperatures exceeding the boiling point of the liquid. When the liquid being gaged has an unusually low boiling point the gage and valves should be installed and the gage equipped with a non-frosting unit.

Jerguson Large Chamber Gages are of flat glass reflex or transparent design. The liquid chamber is constructed of heavy tubing, carefully slotted and machined to provide plane seats for the gaskets and glass assemblies. Covers are steel secured with specially designed steel bolts.

Gage glasses are specially processed, heat treated and tempered. Standard connections are 3/4" N.P.T. female end connections. 1/2" or 3/4" N.P.T. side connections are available. 2" flanged or scarfed for welding connections which provide unrestricted flow through the chamber may be specified.



RL-10



TL-10

#### PRESSURE-TEMPERATURE CHART FOR JERGUSON REFLEX GAGES

| Series RL-10 |         | Size Number of Window |      |      |      |      |      |      |      |      |
|--------------|---------|-----------------------|------|------|------|------|------|------|------|------|
| Temp. F      | Temp. C | 1                     | 2    | 3    | 4    | 5    | 6    | 7    | 8    | 9    |
| 100°         | 38      | 2400                  | 2250 | 2100 | 1940 | 1800 | 1640 | 1500 | 1340 | 1200 |
| 200°         | 93      | 2220                  | 2090 | 1950 | 1810 | 1670 | 1540 | 1400 | 1260 | 1130 |
| 300°         | 149     | 2050                  | 1920 | 1800 | 1680 | 1540 | 1430 | 1300 | 1180 | 1060 |
| 400°         | 204     | 1860                  | 1750 | 1640 | 1530 | 1420 | 1320 | 1200 | 1100 | 1000 |
| 500°         | 260     | 1690                  | 1600 | 1500 | 1400 | 1300 | 1210 | 1110 | 1010 | 920  |
| 600°         | 316     | 1520                  | 1430 | 1350 | 1260 | 1180 | 1100 | 1010 | 920  | 850  |

#### PRESSURE-TEMPERATURE CHART FOR JERGUSON TRANSPARENT GAGES

| Series TL-10 |         | Size Number of Window |      |      |     |     |     |     |     |     |
|--------------|---------|-----------------------|------|------|-----|-----|-----|-----|-----|-----|
| Temp. F      | Temp. C | 1                     | 2    | 3    | 4   | 5   | 6   | 7   | 8   | 9   |
| 100°         | 38      | 1200                  | 1110 | 1020 | 930 | 850 | 760 | 680 | 590 | 500 |
| 200°         | 93      | 1080                  | 1000 | 920  | 840 | 760 | 680 | 600 | 530 | 450 |
| 300°         | 149     | 960                   | 890  | 830  | 750 | 680 | 620 | 540 | 470 | 400 |
| 400°         | 204     | 850                   | 790  | 720  | 670 | 600 | 540 | 480 | 420 | 360 |
| 500°         | 260     | 730                   | 680  | 630  | 570 | 520 | 470 | 420 | 360 | 310 |
| 600°         | 316     | 620                   | 570  | 530  | 480 | 440 | 400 | 360 | 310 | 270 |

\*FOR TEMPERATURE ABOVE 600°F (316°C) ALUMINOSILICATE GLASS MUST BE USED.

| % of Rating      | 100%   | 90%   | 50%                                |
|------------------|--|-------|------------------------------------|
| Chamber Material | Carbon Steel, Stainless Steel Series 300 or 300L | Monel | Brass                              |
| Gasketing        | Bonded Compressed Fibers or Teflon Glass Filled  |       | Pure Teflon Neoflon CTFE (Shields) |

**TEST PRESSURE:** All gages are hydrostatically tested by Jerguson prior to shipment @ 1½ times the design pressure rating at 100° F.

#### Specify Gage Assemblies by the Figures Below



Nos. 63,143, 73BL,(93)



Nos. 64,144, 74BL,(94)



Nos. 66,146, 76BL



Nos. 67,147, 77BL



Nos. 63,143, 73BL,(93)



Nos. 64,144, 74BL,(94)

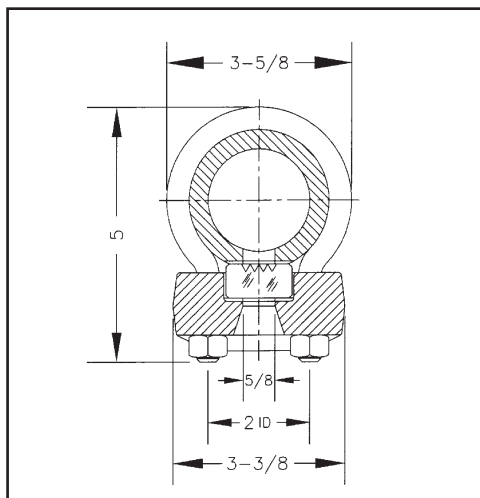


Nos. 146, 66 & 76BL  
Nos. 147, 67 & 77BL



Specify Jerguson - All Gages are **NOT** Created Equal!

# SERIES RL-10 AND SERIES TL-10 LIQUID LEVEL GAGES



## SERIES RL-10

| Size No. | Visible Glass Inches | Overall Length Inches | Minimum Side Connection 1/2" | Approx. Wt. Lbs. |
|----------|----------------------|-----------------------|------------------------------|------------------|
|----------|----------------------|-----------------------|------------------------------|------------------|

### SINGLE-SECTION GAGES

|          |         |         |         |         |    |
|----------|---------|---------|---------|---------|----|
| 11-RL-10 | 3 3/4"  | 6 1/4"  | 5 1/4"  | 5 5/8"  | 10 |
| 12-RL-10 | 4 3/4"  | 7 1/4"  | 6 1/4"  | 6 5/8"  | 11 |
| 13-RL-10 | 5 3/4"  | 8 1/4"  | 7 1/4"  | 7 5/8"  | 13 |
| 14-RL-10 | 6 3/4"  | 9 1/4"  | 8 1/4"  | 8 5/8"  | 14 |
| 15-RL-10 | 7 3/4"  | 10 1/4" | 9 1/4"  | 9 5/8"  | 17 |
| 16-RL-10 | 9 3/4"  | 11 1/4" | 10 1/4" | 11 5/8" | 19 |
| 17-RL-10 | 10 3/4" | 12 1/4" | 11 1/4" | 12 5/8" | 22 |
| 18-RL-10 | 11 3/4" | 14 1/4" | 13 3/4" | 13 3/4" | 24 |
| 19-RL-10 | 12 3/4" | 15 1/4" | 14 1/4" | 14 1/2" | 25 |

### TWO-SECTION GAGES

|          |         |         |         |         |    |
|----------|---------|---------|---------|---------|----|
| 23-RL-10 | 13"     | 15 1/2" | 14 1/2" | 14 5/8" | 26 |
| 24-RL-10 | 15"     | 17 1/2" | 16 1/2" | 16 5/8" | 30 |
| 25-RL-10 | 17 1/4" | 19 3/4" | 18 3/4" | 19 3/4" | 34 |
| 26-RL-10 | 19 3/4" | 22 1/4" | 21 1/4" | 21 5/8" | 38 |
| 27-RL-10 | 22"     | 24 1/2" | 23 1/2" | 23 5/8" | 42 |
| 28-RL-10 | 25 1/4" | 27 3/4" | 26 3/4" | 27 5/8" | 48 |
| 29-RL-10 | 26 3/4" | 29 1/4" | 28 3/4" | 28 5/8" | 52 |

### THREE-SECTION GAGES

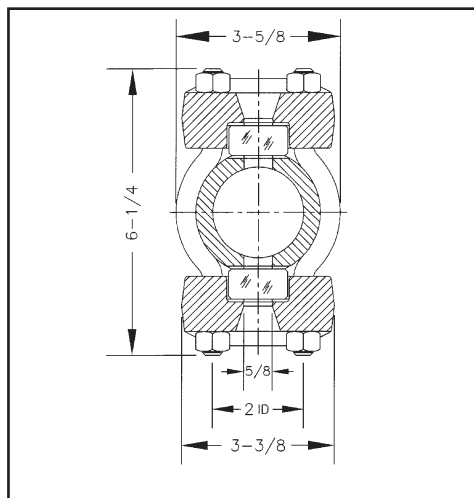
|          |         |         |         |         |    |
|----------|---------|---------|---------|---------|----|
| 36-RL-10 | 30 3/4" | 32 3/4" | 31 3/4" | 32 1/4" | 58 |
| 37-RL-10 | 33 3/4" | 36 1/4" | 35 1/4" | 35 5/8" | 64 |
| 38-RL-10 | 38 3/8" | 41 1/4" | 40 3/4" | 40 1/2" | 72 |
| 39-RL-10 | 40 7/8" | 43 3/8" | 42 3/8" | 42 1/4" | 77 |

### FOUR-SECTION GAGES

|          |         |         |         |         |     |
|----------|---------|---------|---------|---------|-----|
| 47-RL-10 | 45 1/2" | 48"     | 47"     | 47 3/8" | 85  |
| 48-RL-10 | 52"     | 54 1/2" | 53 1/2" | 53 3/8" | 96  |
| 49-RL-10 | 55"     | 57 1/2" | 56 1/2" | 56 3/8" | 102 |

### FIVE-SECTION GAGES

|          |         |         |         |         |     |
|----------|---------|---------|---------|---------|-----|
| 57-RL-10 | 57 1/4" | 59 3/4" | 58 3/4" | 59 3/8" | 88  |
| 58-RL-10 | 65 3/8" | 67 3/8" | 66 3/8" | 67 1/4" | 100 |
| 59-RL-10 | 69 3/8" | 71 3/8" | 70 3/8" | 71"     | 106 |



## SERIES TL-10

| Size No. | Visible Glass Inches | Overall Length Inches | Minimum Side Connection 1/2" | Approx. Wt. Lbs. |
|----------|----------------------|-----------------------|------------------------------|------------------|
|----------|----------------------|-----------------------|------------------------------|------------------|

### SINGLE-SECTION GAGES

|          |         |         |         |         |    |
|----------|---------|---------|---------|---------|----|
| 11-TL-10 | 3 3/4"  | 6 1/4"  | 5 1/4"  | 5 5/8"  | 14 |
| 12-TL-10 | 4 3/4"  | 7 1/4"  | 6 1/4"  | 6 5/8"  | 17 |
| 13-TL-10 | 5 3/4"  | 8 1/4"  | 7 1/4"  | 7 5/8"  | 20 |
| 14-TL-10 | 6 3/4"  | 9 1/4"  | 8 1/4"  | 8 5/8"  | 23 |
| 15-TL-10 | 7 3/4"  | 10 1/4" | 9 1/4"  | 9 5/8"  | 25 |
| 16-TL-10 | 9 3/4"  | 11 1/4" | 10 1/4" | 11 5/8" | 29 |
| 17-TL-10 | 10 3/4" | 12 1/4" | 11 1/4" | 12 5/8" | 32 |
| 18-TL-10 | 11 3/4" | 14 1/4" | 13 3/4" | 13 3/4" | 36 |
| 19-TL-10 | 12 3/4" | 15 1/4" | 14 1/4" | 14 1/2" | 38 |

### TWO-SECTION GAGES

|          |         |         |         |         |    |
|----------|---------|---------|---------|---------|----|
| 23-TL-10 | 13"     | 15 1/2" | 14 1/2" | 14 5/8" | 40 |
| 24-TL-10 | 15"     | 17 1/2" | 16 1/2" | 16 5/8" | 46 |
| 25-TL-10 | 17 1/4" | 19 3/4" | 18 3/4" | 19 3/4" | 52 |
| 26-TL-10 | 19 3/4" | 22 1/4" | 21 1/4" | 21 5/8" | 59 |
| 27-TL-10 | 22"     | 24 1/2" | 23 1/2" | 23 5/8" | 65 |
| 28-TL-10 | 25 1/4" | 27 3/4" | 26 3/4" | 27 5/8" | 73 |
| 29-TL-10 | 26 3/4" | 29 1/4" | 28 3/4" | 28 5/8" | 77 |

### THREE-SECTION GAGES

|          |         |         |         |         |     |
|----------|---------|---------|---------|---------|-----|
| 36-TL-10 | 30 3/4" | 32 3/4" | 31 3/4" | 32 1/4" | 88  |
| 37-TL-10 | 33 3/4" | 36 1/4" | 35 1/4" | 35 5/8" | 96  |
| 38-TL-10 | 38 3/8" | 41 1/4" | 40 3/4" | 40 1/2" | 110 |
| 39-TL-10 | 40 7/8" | 43 3/8" | 42 3/8" | 42 1/4" | 116 |

### FOUR-SECTION GAGES

|          |         |         |         |         |     |
|----------|---------|---------|---------|---------|-----|
| 47-TL-10 | 45 1/2" | 48"     | 47"     | 47 3/8" | 128 |
| 48-TL-10 | 52"     | 54 1/2" | 53 1/2" | 53 3/8" | 146 |
| 49-TL-10 | 55"     | 57 1/2" | 56 1/2" | 56 3/8" | 155 |

### FIVE-SECTION GAGES

|          |         |         |         |         |     |
|----------|---------|---------|---------|---------|-----|
| 57-TL-10 | 57 1/4" | 59 3/4" | 58 3/4" | 59 3/8" | 134 |
| 58-TL-10 | 65 3/8" | 67 3/8" | 66 3/8" | 67 1/4" | 152 |
| 59-TL-10 | 69 3/8" | 71 3/8" | 70 3/8" | 71"     | 161 |

## SPECIFICATIONS

### LENGTHS:

Series L-10 gages are available in nine standard visible glass lengths. Multiple windows on a single piece liquid chamber are used for longer lengths.

### CONNECTIONS:

End connections with 3/4" N.P.T. are standard. Up to 2" N.P.T. end connections, 1/2" or 3/4" N.P.T. side or back connections and flanged connections are available on request.

### LIQUID CHAMBER:

Heavy wall tubing, 2" inside diameter. Gasket seats are machined on the face of the chamber and assembly torques are designed to prevent sidewise movement of gasket.

### COVERS:

Steel, recessed gasket seat.

### BOLTS & NUTS:

Alloy steel to ASTM standards.

### GLASS:

Tempered glass. The glass must be protected from mediums that are corrosive to it such as caustic and hydrofluoric acid. Transparent glass with mica or Neoflon CTFE shields must be used in these applications.

### GASKETS:

Precision die cut from the highest quality materials.

### NOTE:

It is recommended that all gages be installed with Jerguson gage valves having safety ballchecks which help provide protection against physical injury and loss of product if glass breakage should occur.



## JERGUSON® GAGE AND VALVE

A Division of The Clark • Reliance® Corporation  
13200 North Promenade • Stafford, TX 77477 USA  
Telephone: (281) 240-4243 Fax: (281) 240-7299

## JERGUSON® GAGE AND VALVE

A Division of The Clark • Reliance® Corporation  
16633 Foltz Industrial Parkway • Strongsville, OH 44136 USA  
Telephone: (440) 572-1500 Fax: (440) 238-8828