

Trust The GOLD

**The “Standard” in
Boiler Level Switches**



Levalarm[®] GOLD

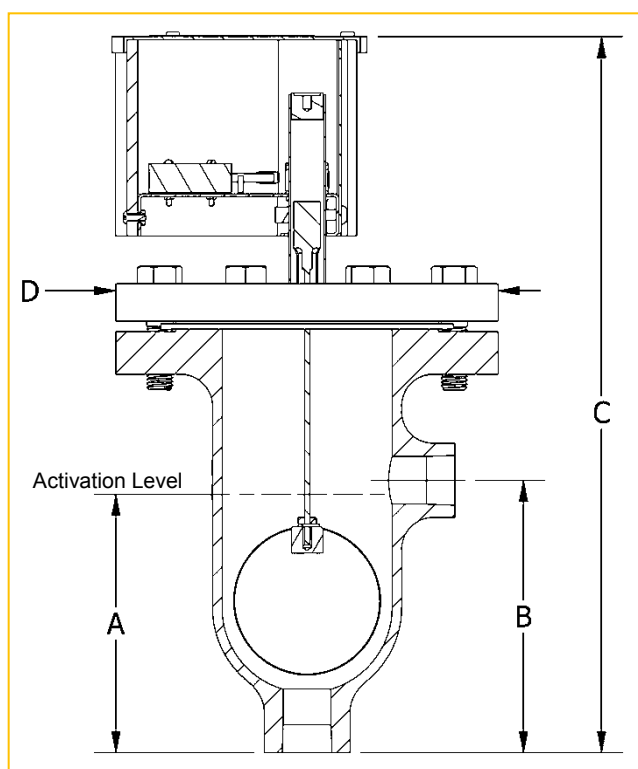
Low Water Alarms, Switches and Cutouts

Reliance[®]
A PRODUCT OF CLARK-RELIANCE[®]



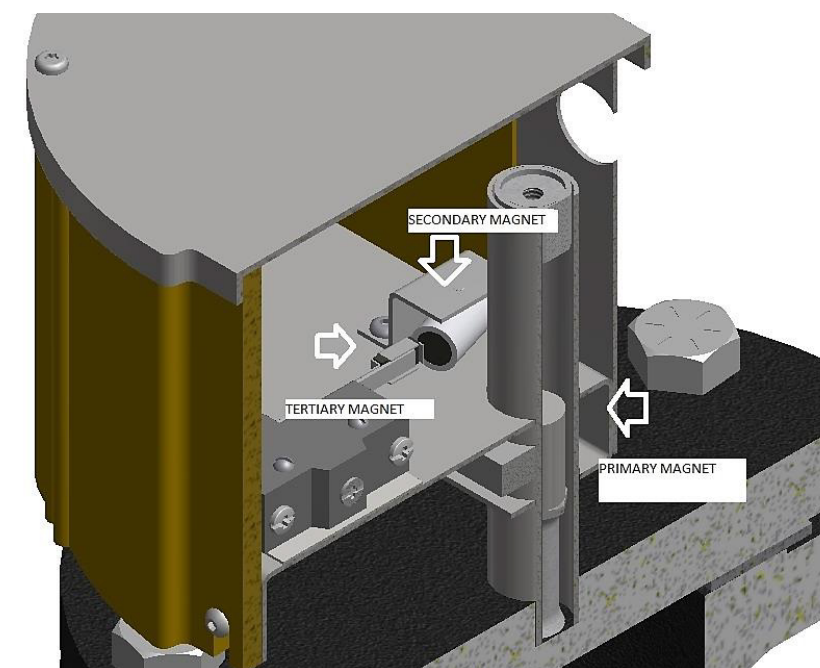
Our Tri-Magnet Mechanism provides the most secure switch action with zero effect from heat or vibration. Levalarm® Gold is the most dependable level switch for your boiler application.

THREE MODELS TO SUIT YOUR APPLICATION NEEDS





MAGNET SWITCH OPERATION & LAYOUT

A stainless steel float is attached to the end of a rod with a stainless steel encapsulated magnet. The magnet travels vertically in the pressure tube. The primary magnet on the float rod inside the pressure tube drives the secondary magnet, which in turn drives the tertiary magnet. The tertiary magnet is mounted to the switch arm and activates the switch. The use of repelling magnetic fields creates a positive interlocking switch that is both vibration resistant and compensates for installation misalignment. A buoyed float will cause the reaction of the magnets to hold the switch open or closed, depending on which terminals are used. As liquid falls in the chamber, the float drops and directs the magnets to the opposite position which activates the switch in the opposite direction.



DIMENSIONS – Inches (mm)

Model	A - Actuation	B - Connections	C - Height	D - Width	Weight - lb (kg)
EA100G-150	6.08 (155)	6.41 (163)	16.87 (428)	9.00 (229)	46 (20.8)
EA100G-300	6.00 (152)	6.51 (165)	17.40 (442)	10.00 (254)	65 (29.5)
EA100G-600	7.51 (191)	8.35 (212)	21.00 (533)	13.00 (330)	157 (71.2)

Agency Approvals	UL 353  FM 7710 
Connection Sizes:	EA100-G-150: 1" FNPT EA100G-300/EA100G-300SW: 1" FNPT / 1" FSW EA100G-600/EA100G-600SW: 1" FNPT / 1" FSW
Pressure Rating: (MAWP = Maximum Allowable Working Pressure)	EA100G-150: 200 PSI (13.8 Bar) MAWP EA100G-300/EA 100G-300SW: 500 PSI (34.5 Bar) MAWP EA100G-600/EA100G-600SW: 1000 PSI (69 Bar) MAWP
Float Switch Rating:	UL listed and CSA approved SPDT UL Code 35 5 A, 125, 250, or 480 Vac 1/2 A, 125 Vdc; 1/4 amp 250 Vdc Switch Max. Temperature: 400°F
Environment:	Indoor or outdoor

Specify Levalarm® Gold For Your

Low Water Alarms, Switches and Cutouts

From the World's Largest Selection Of Boiler Instrumentation and Control Devices



Eye-Hye® SmartLevel™
Local and Remote Indicators



**Flat Glass Gages
and Illuminators**



**LevelMax
Systems**



Simpliport® 180
Water Gage System

Maintain Optimum Performance and
Accuracy with OEM Parts

Critical spare parts for overnight delivery,
direct from the manufacturer.



clark-reliance.com/parts



16633 Foltz Parkway, Strongsville, OH 44149 USA Phone: +440.572.1500 Fax: +440.238.8828
www.clark-reliance.com sales@clark-reliance.com

Clark-Reliance is a registered trademark of The Clark-Reliance Corporation © 2017 The Clark-Reliance® Corporation